

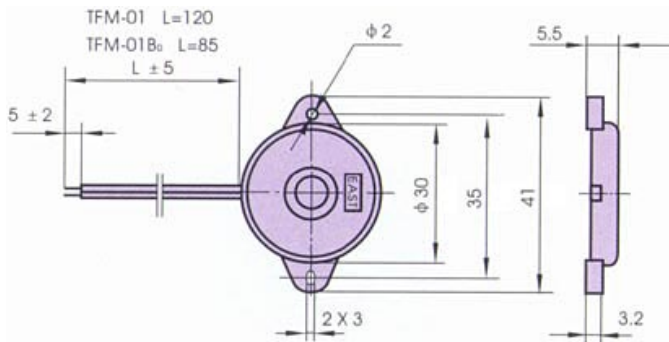
• **TFM-01(TFM-01B₀)**



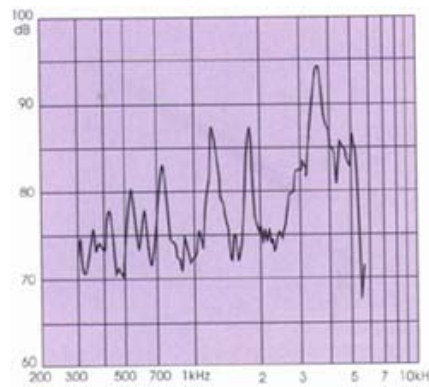
FEATURES:

- Low frequency
- Low current drain
- Light and compact

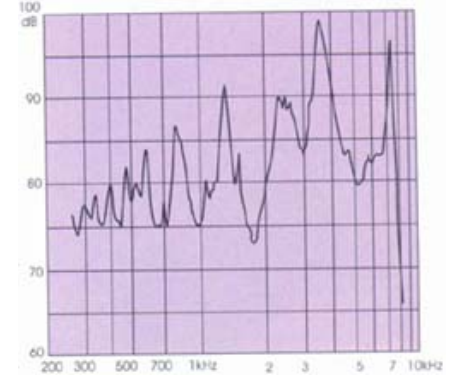
DIMENSIONS: (Unit: mm)



CHARACTERISTICS:



TFM-01 12V_{p-p} Square Wave / 30cm



TFM-01B₀ 9V_{p-p} Square Wave / 10cm

ELECTRICAL SPECIFICATIONS :

Model No.	TFM-01	TFM-01B ₀
Min. Sound Pressure Level (dB)	75/1.3kHz/12V _{p-p} Square Wave / 30cm	90/3.5kHz/9V _{p-p} Square Wave / 10cm
Max. Consumption (mA)	3.5/1.3kHz/12V _{p-p} Square Wave	5/3.5kHz/9V _{p-p} Square Wave
Resonant Frequency (kHz)	1.3 ± 0.5	3.5 ± 0.5
Capacitance at 120Hz (nF)	45 ± 30%	
Allowable Input Voltage (V _{p-p})	40	
Operating Temperature (°C)	-20 ~ +70	
Weight (g)	3.5	
Case Material/Colour	ABS/Black	

PACKING INFORMATION :

Packing :	3200 pcs per export carton
Carton Size :	47 X 30.5 X 19 cm
G. Weight :	13 kgs
N. Weight :	11.2 kgs